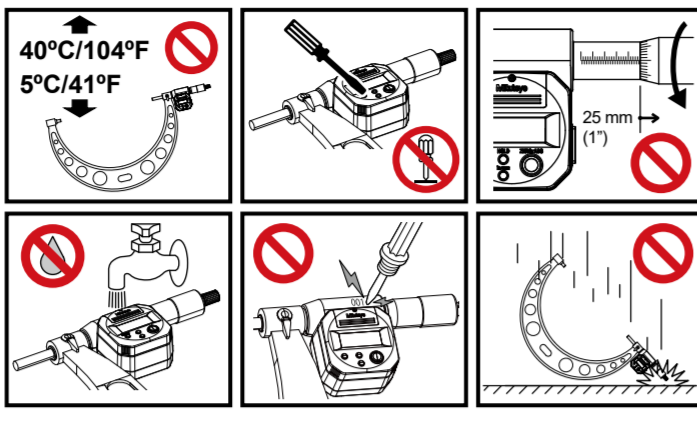
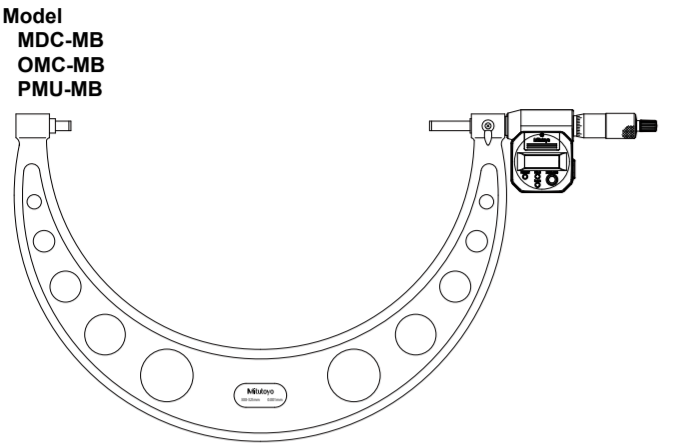


No. 99MAB034M3 デジマチックマイクロメータ ユーザーズマニュアル



1

SR44

2

PRESET

3

inch/mm

4

ABS, INC

4

ABS, INC

ZERO/ABS

INC

Hand icon: $t < 1s$ (fast) vs $t = 2s$ (slow)

KEEP THIS MANUAL FOR FUTURE REFERENCE.
If any other manuals are included along with this one, read them as well.
For more information, refer to <https://manual.mitutoyo.co.jp>

Mitutoyo Corporation
 20-1, Sakado 1-cho, Takatsuki, Kawasacki-shi, Kanagawa, 213-8533, Japan

For the EU Directive
 Authorized representative and importer in the EU:
 Mitutoyo Europe GmbH
 Borsigstrasse 8-10, 41469 Neuss, Germany

For the UK Regulation
 Authorized representative and importer in the UK:
 Mitutoyo (UK) Ltd.
 Joute Road, West Point Business Park, Andover, Hampshire SP10 3UX, UNITED KINGDOM

株式会社ミトトヨ 〒213-8533 神奈川県川崎市高津区坂戸 1-20-1

No. 99MAB034M3 Digimatic Micrometer User's Manual

ja

de

fr

it

eu

es

nl

sv

en

se

pl

pt

tr

ru

uk

ca

zh

jp

de

fr

it

eu

es

nl

sv

en

se

pl

pt

tr

ru

uk

ca

zh

jp

fr

it

eu

es

nl

sv

en

se

pl

pt

tr

ru

uk

ca

zh

jp



