



Line Laser Sensor

SurfaceMeasure

SurfaceMeasure1008S

Grounding Guide

- Instruction Manual -

Read this document thoroughly before operating the product. After reading, retain it close at hand for future reference.

This English language version of the document contains the original instructions.

No. A61F22-504C

Date of publication: June 30, 2022 (1)



■ Product names and model numbers covered in this document

Product name	Model number
Line Laser Sensor SurfaceMeasure	SurfaceMeasure1008S

■ Notice regarding this document

- Mitutoyo Corporation assumes no responsibilities for any damage to the product, caused by its use not conforming to the procedure described in this document.
- Upon loan or transfer of this product, be sure to attach this document to the product.
- In the event of loss or damage to this document, immediately contact your dealer or the nearest Mitutoyo sales office.
- Fully understand the descriptions of "Safety Precautions" mentioned below before using this product.
- The contents in this document are based on the information disclosed as of June, 2022.
- No part or whole of this document may be transmitted or reproduced by any means without prior written permission of Mitutoyo Corporation.
- Some screen displays in this document may be highlighted, simplified or partially omitted for convenience of explanation. In addition, some of them may differ from actual ones to the extent that no user will misunderstand the functions and operations.
- The corporation, organization and product names that appear in this document are their trademarks or registered trademarks.

■ Copyright

This manual is protected by copyright.

No part of this manual may not be transferred to a third party or reproduced in any form without written permission of Mitutoyo Corporation. Also, no one may use or release any contents of this manual without permission (except for Mitutoyo in-company use).

In the event of infringement of rights, a claim for loss shall be made.

©2019-2020 Mitutoyo Corporation. All rights reserved.

About This Document

■ Positioning of this document in document map

This section describes the positioning of this document and its relationship with other manuals.

- Hardware and Software manuals

Line Laser Sensor
SurfaceMeasure
SurfaceMeasure1008S
User's Manual

Provides precautions for use, operations and functions of SurfaceMeasure1008S.

Line Laser Sensor
SurfaceMeasure
SurfaceMeasure1008S
1 Sheet Guide

A quick guide for using the SurfaceMeasure1008S.

Line Laser Sensor
SurfaceMeasure
SurfaceMeasure1008S
Measurement tool
Technical Manual

Provides technical descriptions and algorithms of SurfaceMeasure1008S.

- Others

Line Laser Sensor
SurfaceMeasure
SurfaceMeasure1008S
Grounding Guide

Provides guides for reducing the effects of potential differences and noise.

■ Intended readers and purpose of this document

- Intended readers

This is intended for those who use this product, and those who build inspection and evaluation systems, and perform various kinds of non-contact form measuring.

- Purpose

The purpose of this document is to help you to understand the functional outline of the product, functions of each part, how to use it and maintenance details.

CONTENTS

Product names and model numbers covered in this document.....	i
Notice regarding this document	i
Copyright	i
About This Document.....	ii
Positioning of this document in document map.....	ii
CONTENTS	iii
1 Overview.....	1
2 Software and Hardware Requirements.....	2
3 Grounding Schemes	3
3.1 SM1008S Cables.....	3
3.2 Standard.....	3
3.3 Isolated Sensor	3
3.4 Isolate Sensor and Master	4
3.5 Shared Earth and DC Ground (24V/48V_GND).....	4
4 Ferrite Core.....	5
5 Master810/2410	6
6 Recommended Practices for Cordsets	7
7 Grounding Attachment Example	8
SERVICE NETWORK.....	App-1

1 Overview

This instruction guide provides different grounding schemes for Line Laser Sensor SurfaceMeasure1008S (hereinafter Sensor or SM1008S) and Network controller Masters810/2410(hereinafter Master or Masters810/2410) installed in production environment that may require different grounding schemes to eliminate potential differences or noises that may be present on the grounding paths which may cause issues with SM1008S resetting or behaving erratically. Different grounding schemes are required to accommodate different types of noises that may be present in the environment such as noise generated by other equipment connected to the same grounding point as SM1008S and/or Masters810/2410.

2 Software and Hardware Requirements

SM1008S Firmware	All
SM1008S Series	All
Master Series	All

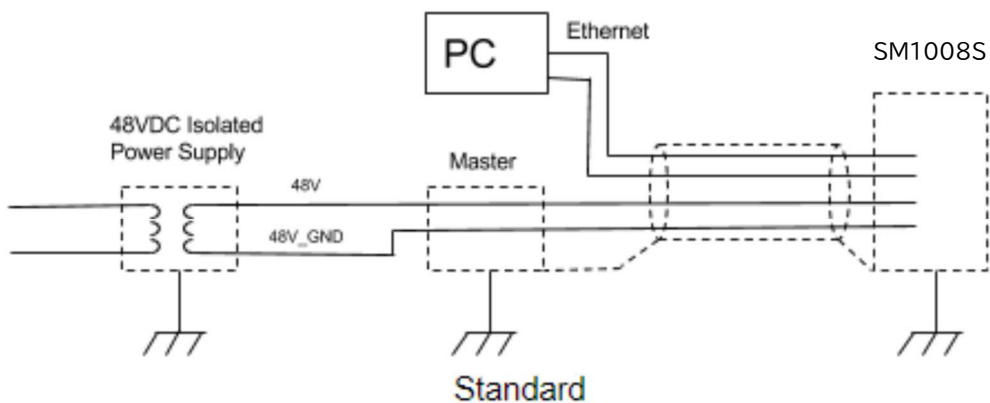
3 Grounding Schemes

3.1 SM1008S Cables

Note the dotted lines in the drawings below represent the Master and SM1008S's chassis with ground connection. The dotted line between Master and SM1008S chassis to the cable shield in between connected through the cable braid wire on the sensor end, and metal jack on the Master end.

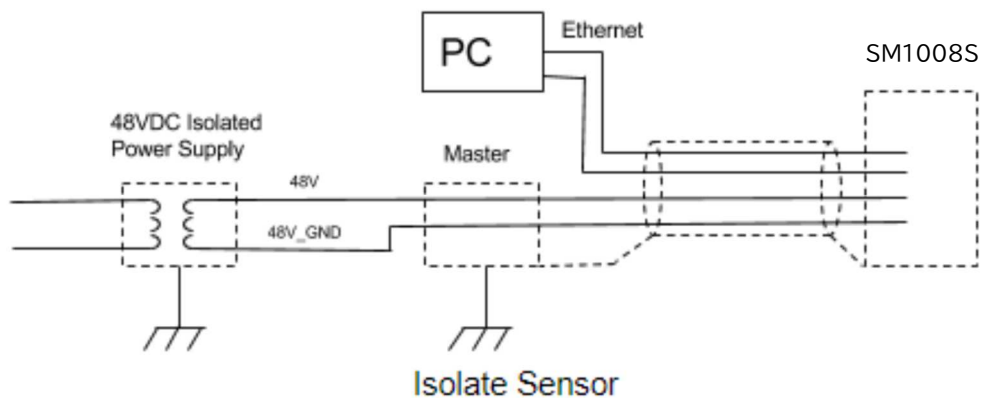
The Ethernet part of the cable is not shielded in standard SM1008S cables.

3.2 Standard



This is the standard recommended grounding method, with the DC ground (24V/48V_GND) isolated from earth ground and chassis of both the Master and SM1008S connected the earth ground through mounting frame or dedicated grounding wire. Note the same earth ground should be connected to the DC power supply as per DC supply manufacturer recommendation.

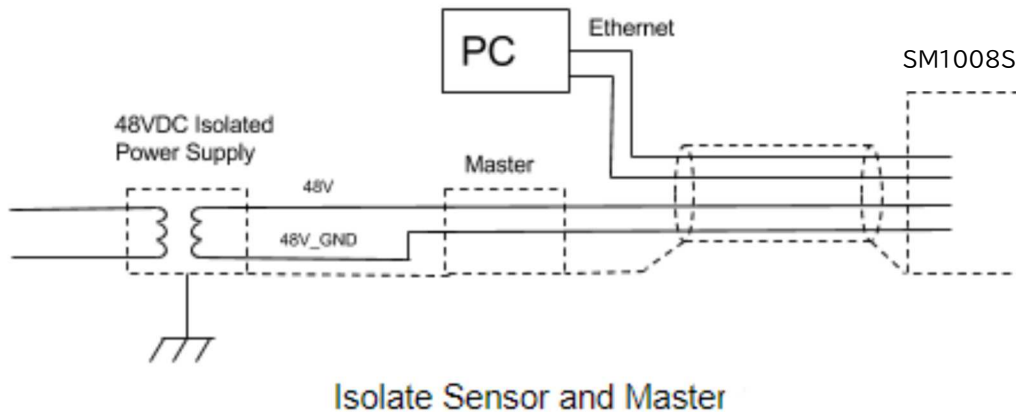
3.3 Isolated Sensor



If the grounding contact the SM1008S is mounted on is noisy or may have different

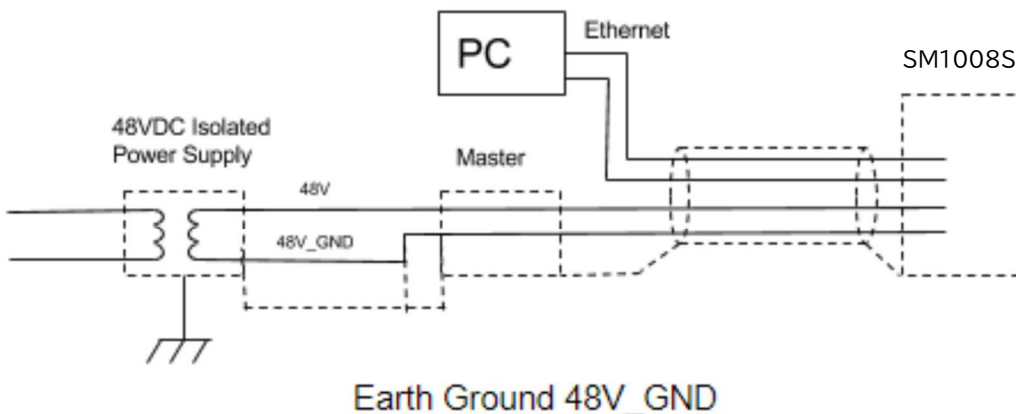
potential from the rest of the grounding path, ground loops could be present. We suggest isolating the SM1008S from any conductive surface completely via insulated mounting mechanism such as nylon bolts and washers.

3.4 Isolate Sensor and Master



Both Masters and SM1008S are recommended to be isolated from the earth ground if the grounding point for both are noisy or could be at different potential causing ground loops. We suggest isolating the SM1008S and Master from any conductive surface completely via insulated mounting mechanism such as nylon bolts and washers.

3.5 Shared Earth and DC Ground (24V/48V_GND)



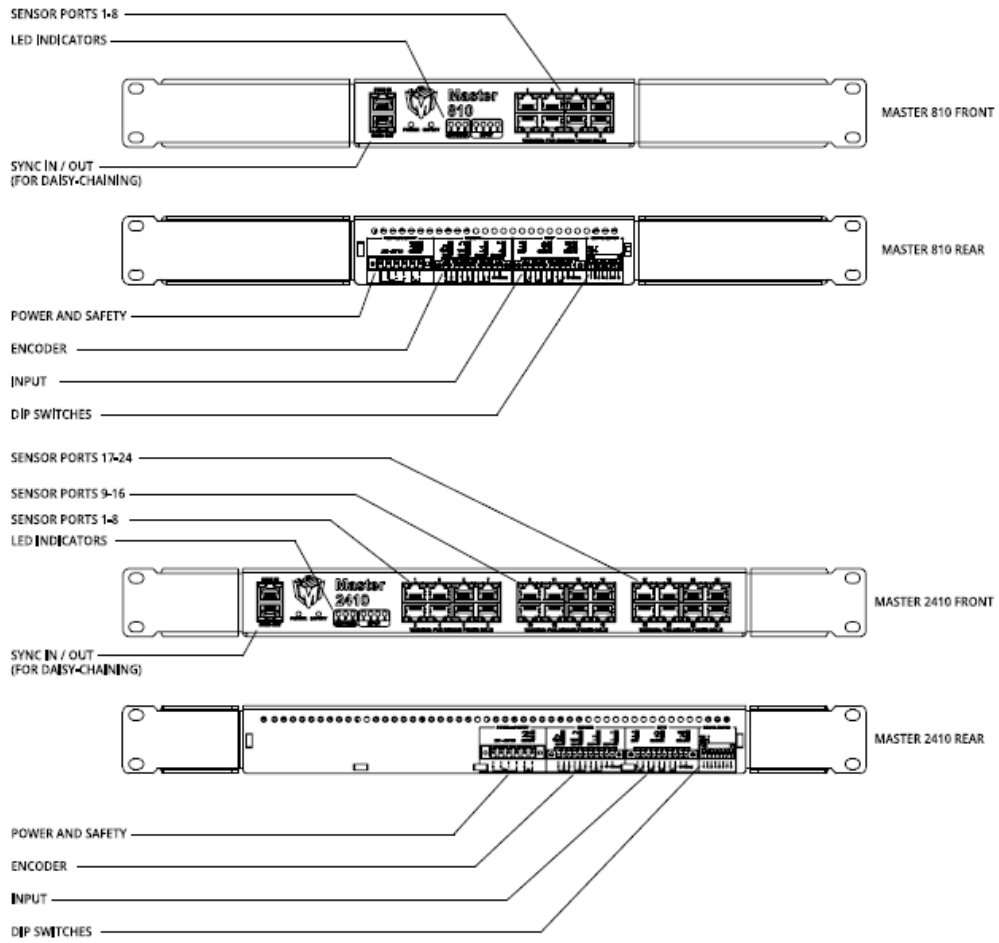
There are cases where connecting the earth ground to DC ground (24V/48V_GND) with both Master and SM1008S completely isolated from ground eliminate grounding noise issues. Connecting the DC ground (48V_GND) to the earth ground prevents the DC voltages from floating with earth ground as reference.

4 Ferrite Core



If high frequency noise is present in the power line, looping the SM1008S power cable through ferrite core assists in reducing the noise. The ferrite core should only have the power part of the cable looped inside, and not the Ethernet part as the ferrite core could interfere with Ethernet data transmission.

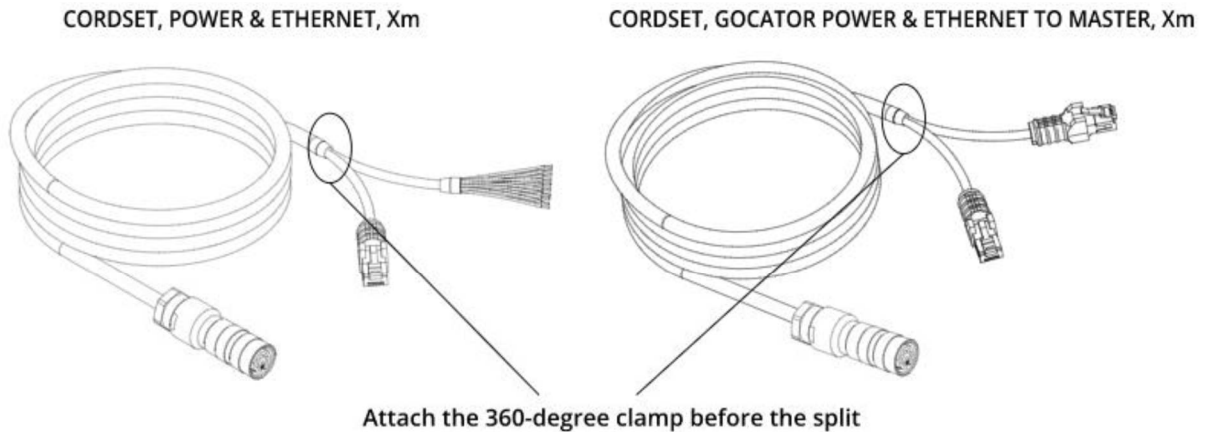
5 Master810/2410



When Master 810/2410 is used to power the SM1008S, the internal circuitry design of the Master 810/2410 utilizes the same grounding scheme as described in "3.5 Shared Earth and DC Ground (24V/48V_GND)"

6 Recommended Practices for Cordsets

If you need to minimize interference with other equipment, you can ground the Power & Ethernet or the Power & Ethernet to Master cordset (depending on which cordset you are using) by terminating the shield of the cordset before the split. The most effective grounding method is to use a 360-degree clamp.



To terminate the cordset's shield:

1. Expose the cordset's braided shield by cutting the plastic jacket before the point where the cordset splits.

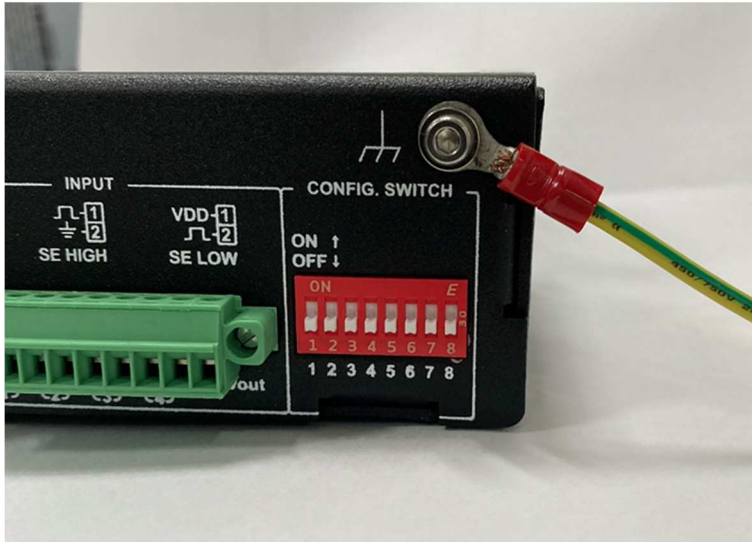


2. Install a 360-degree ground clamp



7 Grounding Attachment Example

Below photos are an example on how grounding wires can be attached to SM1008S and Master chassis. The grounding wire can be attached to any mounting point on the SM1008S chassis, the grounding point for the Master chassis is marked with a ground symbol.



Europe

Mitutoyo Europe GmbH

Borsigstrasse 8-10, 41469 Neuss, GERMANY
TEL: 49(0)2137 102-0 FAX: 49(0)2137 102-351

Mitutoyo CTL Germany GmbH

Von-Gunzert-Strasse 17, 78727 Oberndorf, GERMANY
TEL: 49(0)7423 8776-0 FAX: 49(0)7423 8776-99

KOMEG Industrielle Messtechnik GmbH

Zum Wasserwerk 3, 66333 Völklingen, GERMANY
TEL: 49(0)6898 91110 FAX: 49(0)6898 9111100

Germany

Mitutoyo Deutschland GmbH

Borsigstrasse 8-10, 41469 Neuss, GERMANY
TEL: 49(0)2137 102-0 FAX: 49(0)2137 86 85

M³ Solution Center Hamburg

Tempowerkring 9 im HIT-Technologiepark 21079 Hamburg, GERMANY

TEL: 49(0)40 791894-0 FAX: 49(0)40 791894-50

M³ Solution Center Berlin

Ernst-Lau-Straße 6, 12489 Berlin, GERMANY
TEL: 49(0)30 2611 267 FAX: 49 30 67988729

M³ Solution Center Eisenach

Neue Wiese 4, 99817 Eisenach, GERMANY
TEL: 49(0)3691 88909-0 FAX: 49(0)3691 88909-9

M³ Solution Center Ingolstadt

Marie-Curie-Strasse 1A, 85055 Ingolstadt, GERMANY
TEL: 49(0)841 954920 FAX: 49(0)841 9549250

M³ Solution Center Leonberg

Am Längenbühl 3, 71229 Leonberg, GERMANY
TEL: 49(0)7152 6080-0 FAX: 49(0)7152 608060

Mitutoyo-Messgeräte Leonberg GmbH

Heidenheimer Strasse 14, 71229 Leonberg, GERMANY
TEL: 49(0)7152 9237-0 FAX: 49(0)7152 9237-29

U.K.

Mitutoyo (UK) Ltd. HQ

Joule Road, West Point Business Park, Andover, Hampshire
SP10 3UX, UNITED KINGDOM
TEL: 44(0)1264 353123 FAX: 44(0)1264 354883

Coventry M³ Solution Centre

Unit6, Banner Park, Wickmans Drive, Coventry,
West Midlands CV4 9XA, UNITED KINGDOM
TEL: 44(0)2476 426300

Halifax M³ Solution Centre

Lowfields Business Park, Navigation Close, Elland, West
Yorkshire HX5 9HB, UNITED KINGDOM
TEL: 44(0)1422 375566

East Kilbride M³ Solution Centre

The Bairds Building, Rankine Avenue, Scottish Enterprise
Technology Park, East Kilbride G75 0QF, UNITED
KINGDOM
TEL: 44(0)1355 581170

France

Mitutoyo France

Paris Nord 2-123 rue de la Belle Etoile, BP 59267 ROISSY
EN FRANCE 95957 ROISSY CDG CEDEX, FRANCE
TEL: 33(0)149 38 35 00

M³ Solution Center LYON

Parc Mail 523, cours du 3ème millénaire, 69791 Saint-Priest,
FRANCE
TEL: 33(0)149 38 35 70

M³ Solution Center STRASBOURG

Parc de la porte Sud, Rue du pont du péage, 67118
Geispolsheim, FRANCE
TEL: 33(0)149 38 35 80

M³ Solution Center CLUSES

Espace Scionzier 480 Avenue des Lacs, 74950 Scionzier,
FRANCE
TEL: 33(0)1 49 38 35 90

M³ Solution Center TOULOUSE

Aeroparc Saint Martin Cellule B08
ZAC de Saint Martin du Touch 12 rue de Caulet
31300 Toulouse, FRANCE
TEL: 33(0)1 49 38 42 90

M³ Solution Center RENNES

2, rue Claude Chappe, PA le Vallon - ZAC Mivoie, 35230
Noyal-Châtillon-sur-Seiche, FRANCE
TEL: 33(0)1 49 38 42 10

Italy

Mitutoyo Italiana S.r.l.

Corso Europa, 7 - 20045 Lainate (MI), ITALY
TEL: 39 02 935781 FAX: 39 02 93578255

M³ Solution Center BOLOGNA

Via dei Carpini1/A - 40011 Anzola Emilia (BO), ITALY
TEL: 39 02 93578215 FAX: 39 02 93578255

M³ Solution Center CHIETI

Contrada Santa Calcagna - 66020 Rocca S. Giovanni (CH),
ITALY
TEL: 39 02 93578280 FAX: 39 02 93578255

M³ Solution Center PADOVA

Via G. Galilei 21/F - 35035 Mestrino (PD), ITALY
TEL: 39 02 93578268 FAX: 39 02 93578255

Netherlands

Mitutoyo Nederland B.V.

Koningsschot 41, 3905 PR Veenendaal,
THE NETHERLANDS
TEL: 31(0)318-534911

Mitutoyo Nederland B.V. / M³ Solution Center Enschede

Institutenweg 50, 7521 PK Enschede, THE NETHERLANDS
TEL: 31(0)318-534911

Mitutoyo Nederland B.V. / M³ Solution Center Eindhoven

De Run 1115, 5503 LB Veldhoven, THE NETHERLANDS
TEL: 31(0)318-534911

Mitutoyo Research Center Europe B.V.

De Rijn 18, 5684 PJ Best, THE NETHERLANDS
TEL:31(0)499-320200 FAX:31(0)499-320299

Belgium

Mitutoyo Belgium N.V. / M³ Solution Center Melsele

Schaarbeekstraat 20, B-9120 Melsele, BELGIUM
TEL: 32(0)3-2540444

Sweden

Mitutoyo Scandinavia AB

Släntvägen 6, 194 27 Upplands Väsby, SWEDEN
TEL: 46(0)8 594 109 50 FAX: 46(0)8 590 924 10

Mitutoyo Scandinavia AB / M³ Solution Center Alingsås

Ångsvaktaregatan 3A, 441 38 Alingsås, SWEDEN
TEL: 46(0)8 594 109 50 FAX: 46(0)322 63 31 62

Mitutoyo Scandinavia AB / M³ Solution Center Värnamo

Kalkstensvägen 7, 331 44 Värnamo, SWEDEN
TEL: 46(0)8 594 109 50 FAX: 46(0)370 463 34

Switzerland

Mitutoyo (Schweiz) AG

Steinackerstrasse 35, 8902 Urdorf, SWITZERLAND
TEL: 41(0)447361150

Mitutoyo (Suisse) SA

Rue Galilée 4, 1400 Yverdon-les Bains, SWITZERLAND
TEL: 41(0)244259422 FAX: 41(0)447361151

SERVICE NETWORK

*As of May 2022

Poland

Mitutoyo Polska Sp.z o.o.

Ul.Graniczna 8A, 54-610 Wrocław, POLAND
TEL: 48(0)71354 83 50 FAX: 48(0)71354 83 55

Czech Republic

Mitutoyo Česko s.r.o.

Dubská 1626, 415 01 Teplice, CZECH REPUBLIC
TEL: 420 417-514-011 Email: info@mitutoyo.cz

Mitutoyo Česko s.r.o. M[®] Solution Center Ivančice

Ke Karlovu 62/10, 664 91 Ivančice, CZECH REPUBLIC
TEL: 420 417-514-011 Email: info@mitutoyo.cz

Mitutoyo Česko s.r.o. M[®] Solution Center Ostrava Mošnov

Mošnov 314, 742 51 Mošnov, CZECH REPUBLIC
TEL: 420 417-514-050 Email: info@mitutoyo.cz

Mitutoyo Česko s.r.o. Slovakia Branch

Hviezdoslavova 124, 017 01 Povážská Bystrica, SLOVAKIA
TEL: 421 948-595-590 Email: info@mitutoyo.sk

Hungary

Mitutoyo Hungária Kft.

Galamb József utca 9, 2000 Szentendre, HUNGARY
TEL: 36 (30) 6410210

Romania

Mitutoyo Romania SRL

1A Drumul Garii Odai Street, showroom, Ground Floor,
075100 OTOPENI-ILFOV, ROMANIA
TEL: 40(0)311012088 FAX: 40(0)311012089

Showroom in Brasov

Strada Ionescu Crum Nr.1, Brasov Business Park Turnul 1,
Mezanin, 500446 Brasov-Judetul Brasov, ROMANIA
TEL/FAX: 40(0)371020017

Russian Federation

Mitutoyo RUS LLC

Sharikopodshipnikovskaya St., 13, bld.5, Moscow, 115088,
RUSSIAN FEDERATION
TEL: 7 495 545 43 90

Finland

Mitutoyo Scandinavia AB Finnish Branch

Viherkiitäjä 2A, 33960, Pirkkala, FINLAND
TEL: 358(0)40 355 8498

Austria

Mitutoyo Austria GmbH

Salzburger Straße 260 / 3A-4600 Wels, AUSTRIA
TEL: 43(0) 7242 219 998

Mitutoyo Austria GmbH Goetzis Regional showroom

Lastenstrasse 48a, 6840 Götzis, AUSTRIA

Singapore

Mitutoyo Asia Pacific Pte. Ltd.

Head office / M[®] Solution Center

24 Kallang Avenue, Mitutoyo Building, SINGAPORE 339415
TEL: (65)62942211 FAX: (65)62996666

Malaysia

Mitutoyo (Malaysia) Sdn. Bhd.

Kuala Lumpur Head Office / M[®] Solution Center

Mah Sing Integrated Industrial Park, 4, Jalan Utarid U5/14,
Section U5, 40150 Shah Alam, Selangor, MALAYSIA
TEL: (60)3-78459318 FAX: (60)3-78459346

Penang Branch office / M[®] Solution Center

30, Persiaran Mahsuri 1/2, Sunway Tunas, 11900 Bayan
Lepas, Penang, MALAYSIA
TEL: (60)4-6411998 FAX: (60)4-6412998

Johor Branch office / M[®] Solution Center

70 (Ground Floor), Jalan Molek 1/28, Taman Molek, 81100
Johor Bahru, Johor, MALAYSIA
TEL: (60)7-3521626 FAX: (60)7-3521628

Thailand

Mitutoyo (Thailand) Co., Ltd.

Bangkok Head Office / M[®] Solution Center

76/3-5, Chaengwattana Road, Kwaeng Anusaawaree, Khet
Bangkaen, Bangkok 10220, THAILAND
TEL: (66)2080 3500 FAX:(66)2521 6136

Chonburi Branch / M[®] Solution Center

7/1, Moo 3, Tambon Bowin, Amphur Sriracha, Chonburi
20230, THAILAND
TEL: (66)2080 3563 FAX:(66)3834 5788

ACC Branch / M[®] Solution Center

122/8, 122/9, Moo 6, Tambon Donhuaroh,
Amphur Muangchonburi, Chonburi 20000, THAILAND
TEL: (66)2080 3565

Indonesia

PT. Mitutoyo Indonesia

Head Office / M[®] Solution Center

Jalan Sriwijaya No.26 Desa cibatu Kec. Cikarang Selatan
Kab. Bekasi 17530, INDONESIA
TEL: (62)21-2962 8600 FAX: (62)21-2962 8604

Vietnam

Mitutoyo Vietnam Co., Ltd

Hanoi Head Office / M[®] Solution Center

1st & 2nd floor, MHDI Building, No. 60 Hoang Quoc Viet
Road, Nghia Do Ward, Cau Giay District, Hanoi, VIETNAM
TEL: (84)24-3768-8963 FAX: (84)24-3768-8960

Ho Chi Minh City Branch Office / M[®] Solution Center

123 Dien Bien Phu Street, Ward 15, Binh Thanh District,
Ho Chi Minh City, VIETNAM
TEL: (84)28-3840-3489 FAX: (84)28-3840-3498

Hai Phong City Branch Office

Room 511, 5th Floor, Thanh Dat 3 Building, No. 4 Le Thanh
Tong Street, May To Ward, Ngo Quyen District, Hai Phong
City, VIETNAM
TEL:(84)22-5398-9909

Philippines

Mitutoyo Philippines, Inc.

Head Office / M[®] Solution Center

Unit 1B & 2B LTI, Administration Building 1, Annex 1,
North Main Avenue, Laguna Technopark, Binan Laguna
4024, PHILIPPINES
TEL/FAX:(63) 49 544 0272

India

Mitutoyo South Asia Pvt. Ltd. Head Office

C-122, Okhla Industrial Area, Phase-1, New Delhi-110 020,
INDIA

TEL: (91) 11-40578485/86

MSA Technical Center

Plot no. 65, Ground Floor, Udyog Vihar, Phase-4 Gurgaon,
Haryana - 122016, INDIA
TEL: (91) 124-2340286/287

Mumbai Region Head office

303, Sentinel Hiranandani Business Park Powai,
Mumbai-400 076, INDIA
TEL: (91) 22-25700684/685/837/839

Pune Office / M[®] Solution Center

G4/G5, Pride Kumar Senate, Off. Senapati Bapat Road,
Pune-411 016, INDIA
TEL: (91) 20-25660043/44/45

SERVICE NETWORK

*As of May 2022

Ahmedabad Office / M[®] Solution Center

A-104 & A-105, First Floor, Solitaire Corporate Park, Near Divya Bhaskar Press, S.G. Road, Ahmedabad - 380 015, INDIA

TEL: (91)079 - 29704902/903

Bengaluru Region Head office / M[®] Solution Center

116/117-2, Ground Floor, Sy. No. 93 & 94, 3rd Phase, Peenya Industrial Area, Bengaluru-560 058, INDIA

TEL: (91) 80-25630946/47/48/49

Coimbatore Office

Regus, Srivari Srimath, 3rd Floor, Door No: 1045, Avinashi Road, Coimbatore - 641 018,INDIA

TEL: (91)9345005663

Chennai Office / M[®] Solution Center

No. 624, Anna Salai Teynampet, Chennai-600 018, INDIA

TEL: (91) 44-24328823/24/25

Kolkata Office

Unit No. 1208,Om Tower, 32,J.L.Nehru Road, Kolkata-700 071, INDIA

TEL: (91) 33-22267088/40060635/22266817

Taiwan

Mitutoyo Taiwan Co., Ltd. / M[®] Solution Center Taipei

4F., No.71, Zhouzi St., Neihu Dist.,Taipei City 114, TAIWAN

TEL: 886(2)5573-5900 FAX: 886(2)8752-3267

Taichung Branch / M[®] Solution Center Taichung

1F., No. 299, Gaotie 1st Rd., Wuri Dist., Taichung City 414, TAIWAN

TEL:886(4)2338-6822 FAX:886(4)2338-6722

Kaohsiung Branch / M[®] Solution Center Kaohsiung

1F., No.31-1, Haibian Rd., Lingya Dist., Kaohsiung City 802, TAIWAN

TEL: 886(7)334-6168 FAX: 886(7)334-6160

South Korea

Mitutoyo Korea Corporation

Head Office / M[®] Solution Center

(Sanbon-Dong, Geumjeong High View Build.), 6F, 153-8,

Ls-Ro, Gunpo-Si, Gyeonggi-Do, 15808 KOREA

TEL: 82(31)361-4200 FAX: 82(31)361-4201

Busan Office / M[®] Solution Center

(3150-3, Daejeo 2-dong) 8,Yutongdanji 1-ro 49beon-gil,

Gangseo-gu, Busan, 46721 KOREA

TEL: 82(51)718-2140 FAX: 82(51)324-0104

Daegu Office / M[®] Solution Center

(Galsan-dong, Daegu Business Center), 301-Ho, 217, Seongseogongdan-ro, Dalseo-gu, Daegu 42704 KOREA

TEL: 82(53)593-5602 FAX: 82(53)593-5603

China

Mitutoyo Measuring Instruments (Shanghai) Co., Ltd.

8th Floor, Tower 1 Lujiazui Jinkong Square No.1788/1800 Century Ave., Pudong New District, Shanghai 200122, CHINA

TEL: 86(21)5836-0718 FAX: 86(21)5836-0717

Suzhou Office / M[®] Solution Center (Suzhou)

No. 46 Baiyu Road, Suzhou 215021, CHINA

TEL: 86(512)6522-1790 FAX: 86(512)6251-3420

Wuhan Office / M[®] Solution Corner

Room 1701, Wuhan Wanda Center, No. 96, Linjiang Road, Wuchang District, Wuhan Hubei 430060, CHINA

TEL: 86(27)8544-8631 FAX: 86(27)8544-6227

Chengdu Office

1-701, New Angle Plaza, 668# Jindong Road, Jinjiang District, Chengdu, Sichuan 610066, CHINA

TEL: 86(28)8671-8936 FAX: 86(28)8671-9086

Hangzhou Office

Room 804, Eastern International Business Center Building 1, No.600 Jinsha Road of Hangzhou Economic and Technological Development Zone, 310018, CHINA

TEL: 86(571)8288-0319 FAX: 86(571)8288-0320

Tianjin Office / M[®] Solution Center China (Tianjin)

Room D 12/F, TEDA Building, No.256 Jie-fang Nan Road Hexi District, Tianjin 300042, CHINA

TEL: 86(22)5888-1700 FAX: 86(22)5888-1701

Changchun Office

Room 815, 8F, Building A1, Upper East International No.3000 Dongsheng Street, Erdao District, Changchun, Jilin, 130031, CHINA

TEL: 86(431)8192-6998 FAX: 86(431)8192-6998

Chongqing Office

Room 1312, Building 3, Zhongyu Plaza, No.86, Hongjin Avenue, Longxi Street, Yubei District, Chongqing, 400000, CHINA

TEL: 86(23)6595-9950 FAX: 86(23)6595-9950

Qingdao Office

Room 638, 6F, No.192 Zhengyang Road, Chengyang District, Qingdao, Shandong, 266109, CHINA

TEL: 86(532)8096-1936 FAX: 86(532)8096-1937

Xi'an Office

Room 805, Xi'an International Trade Center, No. 196

Xiaozhai East Road, Xi'an, 710061, CHINA

TEL: 86(29)8538-1380 FAX: 86(29)8538-1381

Dalian Office / M[®] Solution Center China (Dalian)

Room A-106 Shuijing SOHO, No.16 Harbin Road, Economic Development Zone, Dalian, 116600 CHINA

TEL: 86(411)8718 1212 FAX: 86(411)8754-7587

Zhengzhou Office

Room1801,18/F,Unit1,Building No.23, Shangwu Inner Ring Road, Zhengdong New District,Zhengzhou City, Henan 450018, CHINA

TEL: 86(371)6097-6436 FAX: 86(371)6097-6981

Dongguan Office / M[®] Solution Center China (Dongguan)

Room 801, No 65, Chang'an Section Guanchang Road, Chang'an Town, Dongguan City, Guangdong 523841, CHINA

TEL: 86(769)8541 7715 FAX: 86(769)-8541 7745

Fuzhou Office

Room 2104, City Commercial Centre, No.129 Wu Yi Road N., Fuzhou City, Fujian 350005, CHINA

TEL: 86 (591) 8761 8095 FAX: 86 (591) 8761 8096

Changsha Office

Room 2207, Building 1, Shiner International Plaza, No. 88, Kaiyuan Middle Road, Changsha City, Hunan 410100, CHINA

TEL: 86 (731) 8401 9276 FAX: 86 (731) 8401 9376

Changzhou Office

Room 1502, Joint Financial Tower, No.255, Tongjiang North Road, Tianning District, Changzhou City, Jiangsu 2130002, CHINA

TEL:86(519)8815 8319 FAX:86(519)8815 8319

Wenzhou Office

Room 512, Building 4, Xinjingdujiayuan, Sanyang Street, Ouhai District, Wenzhou City, Zhejiang 325014, CHINA

Mitutoyo Measuring Instruments (Suzhou) Co., Ltd.

No. 46 Baiyu Road, Suzhou 215021, CHINA

TEL: 86(512)6252-2660 FAX: 86(512)6252-2580

U.S.A.

Mitutoyo America Corporation

965 Corporate Blvd., Aurora, IL 60502, U.S.A.

TEL: 1-(630)820-9666 Toll Free No. 1-888-648-8869

FAX: 1-(630)978-3501

Headquarters (Aurora) / M[®] Solution Center

965 Corporate Blvd., Aurora, IL 60502, U.S.A.

SERVICE NETWORK

*As of May 2022

Seattle (Renton) Office / M^o Solution Center

1000 SW 34th St. Suite G, Renton, WA 98057 U.S.A.
TEL: 1-(888)-648-8869

Houston Office / M^o Solution Center

4560 Kendrick Plaza Drive Suite 120 Houston, TX 77032, U.S.A.

TEL: 1-(888)-648-8869 FAX: 1-(281)227-0937

Cincinnati (Mason) Office / M^o Solution Center

6220 Hi-Tek Ct., Mason, OH 45040, U.S.A.

TEL: 1-(888)-648-8869 FAX: 1-(513)754-0718

Detroit (Novi) Office / M^o Solution Center

46850 Magellan Drive, Suite 100, Novi, MI 48377, U.S.A.

TEL: 1-(888)-648-8869 FAX: 1-(248)-926-0928

Los Angeles (City of Industry) Office / M^o Solution Center

16925 E. Gale Ave., City of Industry, CA 91745, U.S.A.

TEL: 1-(888)-648-8869 FAX: 1-(626)369-3352

Charlotte (Huntersville) Office / M^o Solution Center

11515 Vanstory Dr., Suite 140, Huntersville, NC 28078, U.S.A.

TEL: 1-(888)-648-8869 FAX: 1-(704)875-9273

Boston (Marlborough) Office / M^o Solution Center

753 Forest Street, Suite 110, Marlborough, MA 01752, U.S.A.

TEL: 1-(888)648-8869 FAX: 1-(508)485-0782

Mitutoyo America Corporation Calibration Lab

965 Corporate Blvd., Aurora, IL 60502, U.S.A.

TEL: 1-(888)-648-8869 FAX: 1-(630)978-6477

Mitutoyo America Corporation CT-Lab Chicago

965 Corporate Blvd., Aurora, IL 60502, U.S.A.

TEL: 1-(888)-648-8869 FAX: 1-(630)-820-3418

Mitutoyo Research & Development America, Inc.

11533 NE 118th St., Kirkland, WA 98034-7111, U.S.A.

TEL: 1-(425)821-3906 FAX: 1-(425)821-3228

Mitutoyo Research & Development America, Inc. - California Office

16925 Gale Ave. City of Industry, CA 91745-1806 U.S.A.

TEL: 1-(425)821-3906 FAX: 1-(425)821-3228

Canada

Mitutoyo Canada Inc.

2121 Meadowvale Blvd., Mississauga, Ont. L5N 5N1., CANADA

TEL: 1-(905)821-1261 FAX: 1-(905)821-4968

Montreal Office

7075 Place Robert-Joncas Suite 129, Montreal, Quebec H4M

2Z2, CANADA

TEL: 1-(514)337-5994 FAX: 1-(514)337-4498

Brazil

Mitutoyo Sul Americana Ltda.

Head office / M^o Solution Center

Rodovia Índio Tibiriçá 1555, CEP 08655-000 - Vila Sol Nascente - Suzano - SP - BRASIL

TEL: 55 (11) 5643-0004/0041

Filial Campinas / M^o Solution Center

Avenida Francisco Alfredo Junior, nº 307, Sala 01 e 02, Bairro Swiss Park - Campinas - São Paulo - BRASIL CEP 13049255

TEL: 55 (19) 3397-3412

Filial Curitiba / M^o Solution Center

Rua Sergipe, nº 101, Sala A, Bairro Boneca do Iguaçú, São José dos Pinhais - Paraná - BRASIL CEP 83040120

TEL: 55 (41) 3534-1728

Argentina

Mitutoyo Sul Americana Ltda.

Argentina Branch / M^o Solution Center

Av. B. Mitre 891/899 - C.P. (B1603CQI) Vicente López - Pcia.

Buenos Aires - ARGENTINA

TEL: 54 (11) 4730-1433 FAX: 54 (11) 4730-1411

Sucursal Cordoba / M^o Solution Center

Av. Ricchieri 2872 L.4 - B° Jardin - CP X5014OPJ Cordoba, ARGENTINA

TEL: 54 (351) 464-4125

Mexico

Mitutoyo Mexicana, S.A. de C.V.

Industria Eléctrica No.15, Parque Industrial,

Naucalpan de Juárez, Estado de México C.P.53370, MÉXICO

TEL: 52 (01-55) 5312-5612 FAX: 52 (01-55) 5312-3380

Monterrey Office / M^o Solution Center

Blv. Interamericana No. 103, Parque Industrial FINSA,

C.P. 66636 Apodaca, N.L., MÉXICO

TEL: 52(01-81) 8398-8227/8228/8242/8244

FAX: 52(01-81) 8398-8226

Tijuana Office / M^o Solution Center

Calle José María Velazco 10501-C, Col. Cd. Industrial Nueva

Tijuana, C.P. 22500 Tijuana, B.C., MÉXICO

TEL: 52(01-664) 647-5024

Querétaro Office / M^o Solution Center

Av. Cerro Blanco No.500-1, Colonia Centro Sur, Querétaro,

Querétaro, C.P. 76090, MÉXICO

TEL: 52(01-442)340-8018, 340-8019 and 340-8020

FAX: 52(01-442)340-8017

Mitutoyo Mexicana, S.A. de C.V. Querétaro Calibration

Laboratory

Av. Cerro Blanco 500 30 Centro Sur, Querétaro, Querétaro,

C.P. 76090, MÉXICO

TEL: 52(01-442)340-8018, 340-8019 and 340-8020

FAX: 52(01-442)340-8017

Aguascalientes Office / M^o Solution Center

Av. Aguascalientes No. 622, Local 15 Centro Comercial El

Cilindro Fracc. Pulgas Pandas Norte, C.P. 20138,

Aguascalientes, Ags. MÉXICO

TEL: 52(01-449)174-4140 and 174-4143

Irapuato Office / M^o Solution Center

Boulevard a Villas de Irapuato No. 1460 L.1 Col. Ejido

Irapuato C.P. 36643

Irapuato, Gto., MÉXICO

TEL: 52(01-462)144-1200 and 144-1400

Revision Record

Date of publication	Revision status	Details of revision
June 30, 2022	First edition	Publication

Mitutoyo Corporation

20-1, Sakado 1-Chome, Takatsu-ku, Kawasaki-shi, Kanagawa 213-8533, Japan
Tel: +81 (0)44 813-8230 Fax: +81 (0)44 813-8231
Home page: <https://www.mitutoyo.co.jp/global.h>

For the EU Directive, Authorized representative and importer in the EU:
Mitutoyo Europe GmbH
Borsigstrasse 8-10, 41469 Neuss, Germany

Printed in Japan

No. A61F22-504C