

Standard Steel Stand, Drop Prevention Stand, and Caster Wheel Stand for Graplate (Precision Granite Surface Plate)

【Foreword】

Thank you very much for purchasing our standard steel stand, drop prevention stand, or caster wheel stand for the granite surface plate.

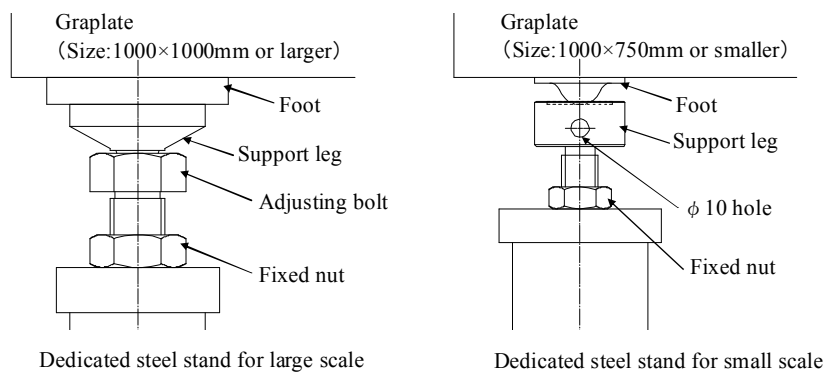
- This User's Manual provides notes on using the granite surface plate. To effectively use and maximize the performance of the plate, read through this manual.
- After reading this manual, always keep it near the stand so that you can refer to it anytime.
- Note that we bear no responsibility for financial loss caused by using this stand.
- The contents of this manual are subject to change without notice.

【Safety Precautions】

WARNING To maximize the stand performance and work safely, note the following. We bear no responsibility for any accident or failure caused by breaking these rules.

- This stand is designed for installing the granite surface plate. Do not use it for other purposes.
- Do not put unnecessary items on this stand.
- Do not touch the drop prevention plate or caster wheel during measurement or relocation. You could catch your hand in it or otherwise get injured.
- Do not shake the stand.
- The operator must wear carefully chosen clothes, especially shoes. Never wear slippers. Wear safety shoes.

- ③ Align the centers of the support feet on the dedicated steel stand and the foot rests glued to the bottom surface of the granite surface plate.



Dedicated steel stand for large scale

※ Rotate the adjusting bolt and adjust height.

Dedicated steel stand for small scale

※ Rotate the supporting leg by using the $\phi 10$ hole and adjust height.

- ④ Put a level on the working face of the granite surface plate and level the face by adjusting the height of the three support feet. After leveling the face, tighten the fixing nuts. If you are installing a granite surface plate that requires auxiliary feet, lightly push them against the bottom surface of the plate. Do not strongly push them because this will change the accuracy of the working face.

《When using the caster wheel stand for installation》

- ① Install the stand on the floor. Keep the caster wheels off the ground by using adjusting bolts so the stand does not move.

WARNING Be sure to fix the stand in place by using the adjusting bolts before installing the caster wheel stand.

- ② Remove all drop prevention plates. (They are fixed in place with two M10 screws.)
- ③ Install the granite surface plate onto the stand by using a crane or other machine and then set and level the beam. (For details, see the procedure for the standard steel stand above.)
- ④ Install the drop prevention plates by using the two M10 screws removed in step (2) above.
- ⑤ Position the granite surface plate and the drop prevention plate so that the gap between them is 10 mm or less. If the gap is larger, you could catch your finger in it or get injured.

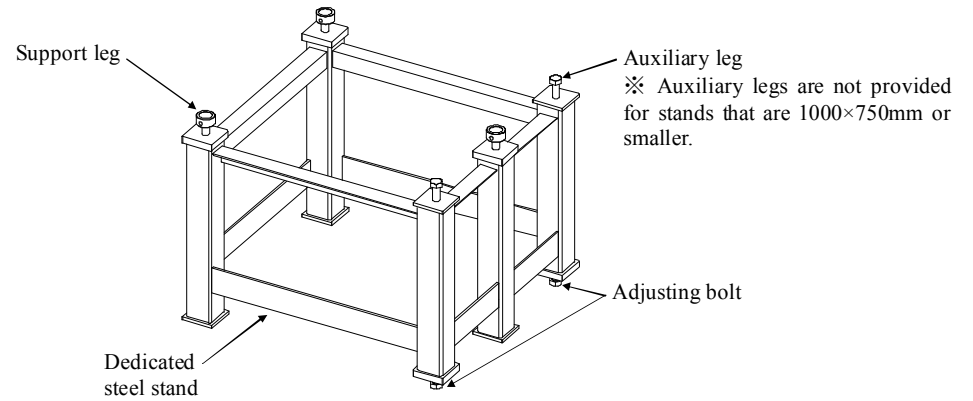
WARNING Be careful not to insert a workpiece or finger between the drop prevention plate and granite surface plate. If the granite surface plate moves, the workpiece might be broken or you could catch your finger between the plates or get injured.

【Installing The Graplate】

Install the granite surface plate and its dedicated steel stand on a sufficiently resistant foundation.

《When using the standard steel stand or drop prevention stand for installation》

- ① Install the stand on the floor. Adjust the foot height using the adjusting bolts so that the four feet do not rattle.



- ② Install the granite surface plate onto the stand by using a crane or other machine.

WARNING Because the surface of the granite surface plate is very slippery, be extremely careful when installing the plate.

When installing the granite surface plate onto the drop prevention stand, be careful not to allow the plate to contact the drop prevention plate.

WARNING If the granite surface plate and drop prevention plate collide, a breakage or other problem might result in injury. Carefully install the plate.

Position the granite surface plate and drop prevention plate so that the gap between them is 10 mm or less. If the gap is larger, you could catch your finger in it or get injured.

WARNING Be careful not to insert a workpiece or finger between the drop prevention plate and granite surface plate. If the granite surface plate moves, the workpiece might be broken or you could catch your finger between the plates or get injured.

【Moving The Caster Wheel Stand】

- ① Make sure that there are no items on the granite surface plate.

WARNING Always move the granite surface plate and workpieces separately. Moving a plate on which a workpiece sits is extremely dangerous.

- ② Loosen the four adjusting bolts to allow the caster wheels to move.

WARNING Do not touch the caster wheels. Doing so might cause an injury.

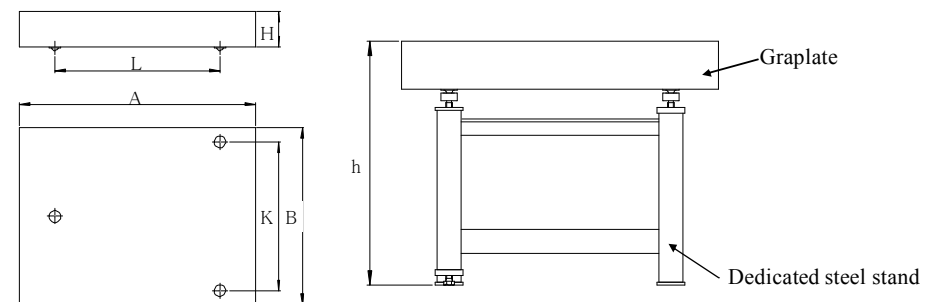
- ③ Make sure that the gap between the drop prevention plate and the granite surface plate is within 10 mm, and then move the granite surface plate.

WARNING The granite surface plate might shift during relocation. Minimize the gap between the drop prevention plate and granite surface plate to ensure safety. Never move the granite surface plate while holding the drop prevention plate. This is extremely dangerous because you could catch your hand between them or otherwise get injured.

- ④ Fix the stand in place by using the four adjusting bolts to prevent rattling.

- ⑤ Set and level the beam.

【Specifications】



Standard Steel Stand	Code No.		Dimensions of Graplate (mm)			Height h(mm)	Weight of Graplate (kg)
	Drop Prevention	Caster Wheel Stand	A×B×H	K	L		
517-203	517-203R	517-203CR	600×450×100	370	500	755~775	80
517-204	517-204R	517-204CR	600×600×130	500	500	755~775	140
517-205	517-205R	517-205CR	750×500×130	420	630	755~775	146
517-206	517-206R	517-206CR	1000×750×150	630	700	755~775	337
517-207	517-207R	517-207CR	1000×1000×150	700	700	755~775	450
517-208	517-208R	517-208CR	1500×1000×200	700	1100	755~775	900
517-209	517-209R	517-209CR	2000×1000×250	600	1500	755~775	1,500
517-210	517-210R	517-210CR	2000×1500×300	1100	1500	755~775	2,700

《Accessory》 User's Manual (1 PC.)